

Stack Mounting Check Valve, size 2 Series SRVA ..

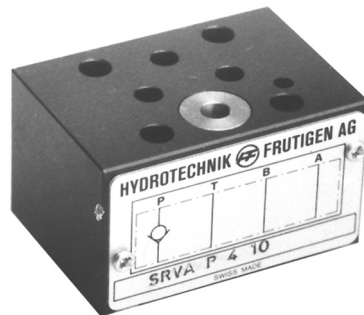
R - 15.10

Issue 08-97

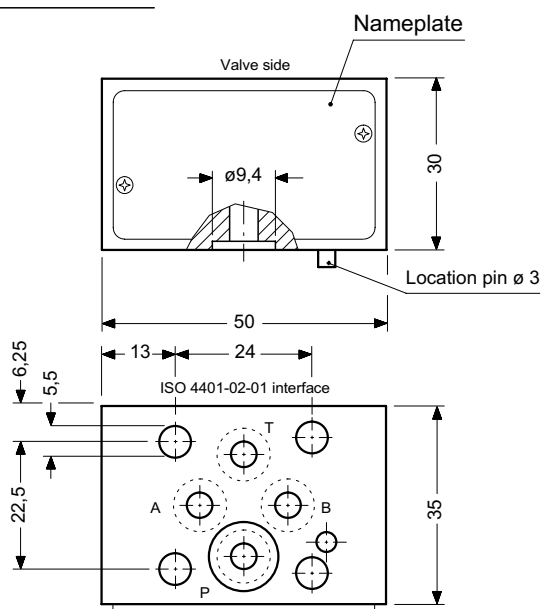
with ISO 4401-02-01 interface

- Check valve with guided poppet
- 2 cracking pressures available

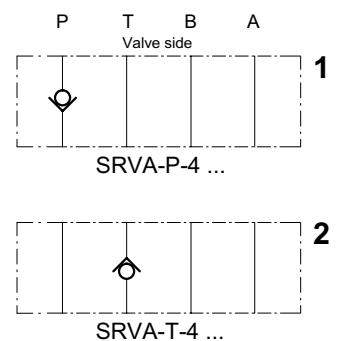
4 mm nom.
p max. 250 [bar]
Q max. 25 [l/min]



DIMENSIONS



SYMBOLS



DESCRIPTION

Series SRVA-...-4 units are seat-type direct check valves which ensure a near zero-leakage closure of the applicable line (P or T).

The \varnothing 3 mm location pin on the actuator face of the valve prevents incorrect mounting.

PRINCIPAL CHARACTERISTICS

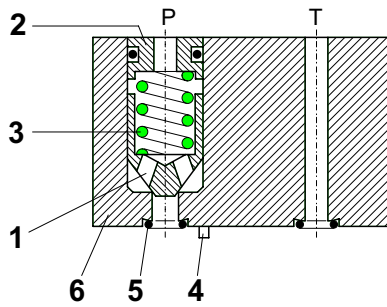
Type	direct check slice valve	Cracking pressure	1,0 bar (standard) 2,5 bar
Design	guided poppet / seat	Fluids	hydraulic oils HL and HLP to DIN 51 524 other fluids - contact HTF
Mounting method	stack mounting	Minimum fluid cleanliness	18/14 to ISO 4406 / Cetop RP70H 8 ... 9 to NAS 1638
Size	ISO 4401-02-01 interface	Fluid temperature range	-20° ... +60° C
Mass	0,37 kg	Viscosity range	10 ... 300 cSt
Mounting attitude	unrestricted	Flow rate, Q max.	25 l/min
Flow direction	see symbols		
Operating pressure	... 250 bar in P, A, B and T ... 160 bar in T if used with WEDA-...-4 directional valve (data sheet W-12.00).		

SUBJECT TO CHANGE WITHOUT NOTICE

R3Z-1589/R3Z-1590

SCHMATIC SECTION

showing the relevant ports



COMPONENTS / SERVICE PARTS

*) = part of seal kit no. DS-210

▲ = available as service part

It.	Qty.	Description	
1	1	Poppet	∅ 12 x 16
2	1	Cover	∅ 12 x 7,5
3	1	Spring 1,0 bar	0,5 × 7,5 × 25 iG = 14,5
	1	Spring 2,5 bar	0,6 × 7,5 × 26 iG = 13,5
4	1	Roll pin	∅ 3 × 6 DIN 1481
▲	1	Seal kit no. DS-210, comprising *):	
5	4*)	O-ring no. 010	∅ 6,07 × 1,78 N90
6	-	Sandwich body Type ZF-4	30 x 35 x 60
	1	Sandwich body Type ZA-4	30 x 35 x 60

SRVA-T-4
SRVA-P-4

TO ORDER SERVICE PARTS, STATE:

- complete unit model code from the nameplate, including the design number.
- part description from above list.
- part item number from above list.
- data sheet number, including issue date
- quantity required

INSTALLATION AND SERVICING

MUST BE CARRIED OUT WITH CARE, AND BY QUALIFIED PERSONNEL ONLY.

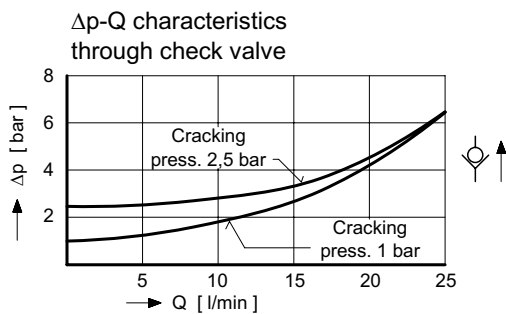
At installation, be sure to mount the valve the correct way up. Do not confuse the flat surface (directional valve side) and the surface with O-ring counterbores (actuator side).

When changing seals, the new seals should be thoroughly oiled or greased before fitting them to the valve.

The spring cover (item 2) is press-fitted in the body and must not be removed.

PERFORMANCE CHARACTERISTICS

(Oil viscosity 33 cSt)



MODEL CODE KEY

Ex.

S RV A - P - 4 - 10 - - - 1

- S = stacking valve
- RV = direct check valve
- A ... Q = **standard** model per current data sheet
- Z ... R = special features by arrangement
- P = function in P
- T = function in T
- 4 = ISO 4401-02-02 interface
- 10 = cracking pressure 1,0 bar (**standard**)
- 25 = cracking pressure 2,5 bar
- (Blank) = Nitrile seals (**standard**)
- V = Viton seals
- For special seals, contact HTF
- 1 ... 9 = design number (omit when ordering)

RELATED DATA SHEETS

i-30 = ISO 4401-02-01 interface