

The High Level Application from Modular Wiring Systems Limited (MWSL) is a modular distribution system for all wiring associated with building services. Commercial, industrial, retail and leisure applications. Integrating MWSL's modular power & lighting solutions with some of the most advanced cabling, BMS and light controls systems in the world providing you with the most efficient means of distributing power and controls cabling which can be installed in just days.

- 1 Lighting
- 2 Lighting controls
- 3 Small power distribution
- 4 HVAC Power distribution
- 5 Remote BMS controls distribution
- 6 Integral BMS controls distribution

The System

Timeframes and budgets stipulated by the majority of construction programmes today dictate speed and simplicity above all other features.

Both have an immediate influence on reducing initial costs as well as those incurred over the life time of the building in reduced labour and maintenance expenses.

Responding to this requirement, modular wiring is increasingly adopted as the standard for a wide range of construction applications with additional opportunities continually being identified and developed.

Originating from the concept of simply connecting luminaires together, MWSL has pioneered ceiling-wide applications that employ modular wiring for lighting, lighting control, small power e.g. fan coils, BMS controls and now fire alarms.

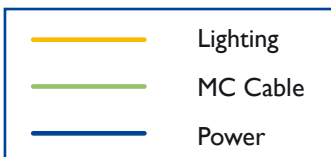
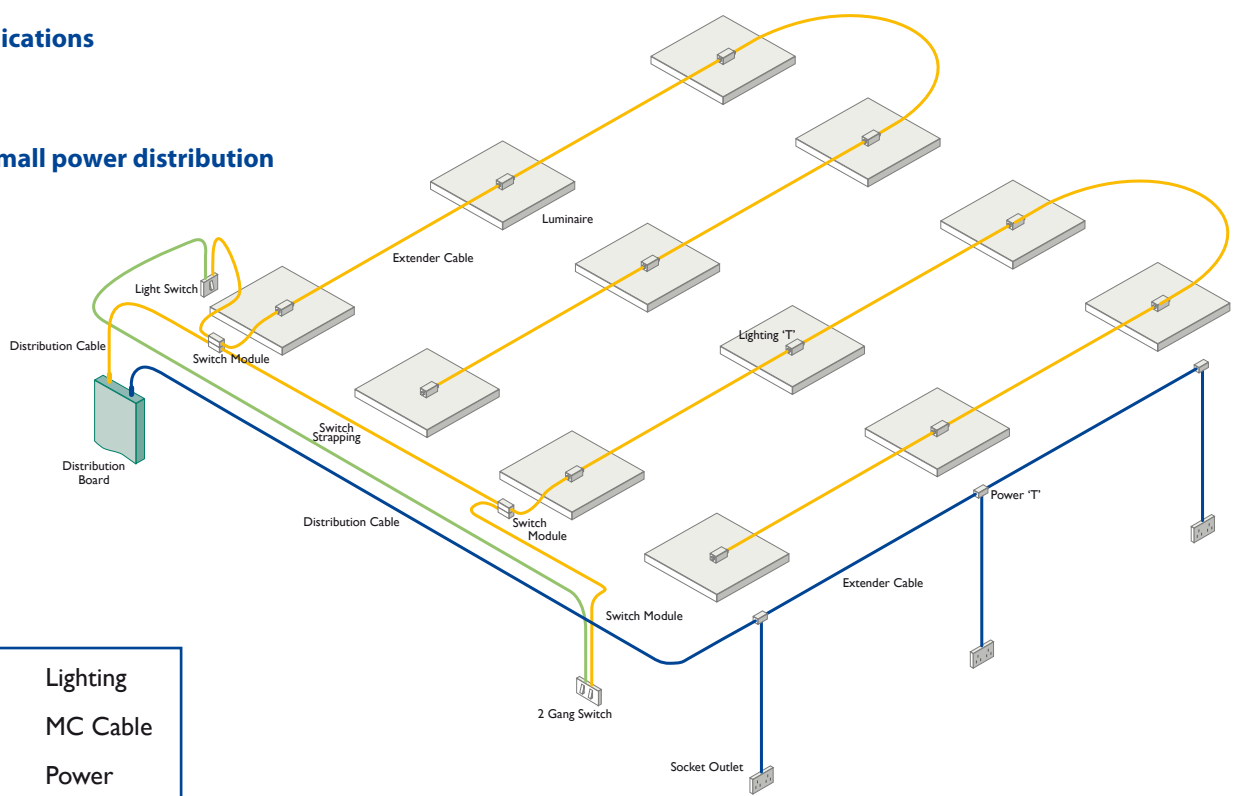
The High Level Application comprises armoured and/or unarmoured system components that simply snap together. Complementary power and controls cables further expand the application.

A completely pre-fabricated installation for all cabling associated with M&E services can be achieved.

Typical Applications

- 1
- 3

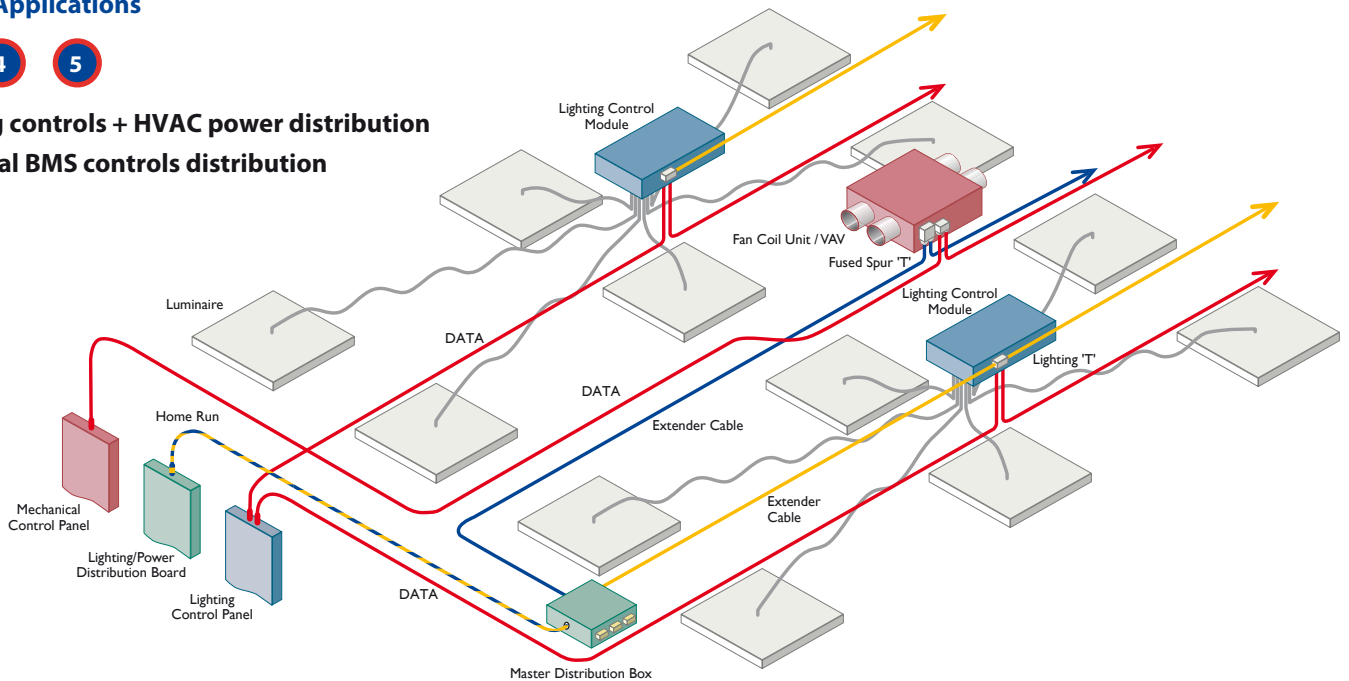
Lighting + Small power distribution



Typical Applications

2 4 5

Lighting controls + HVAC power distribution + Integral BMS controls distribution



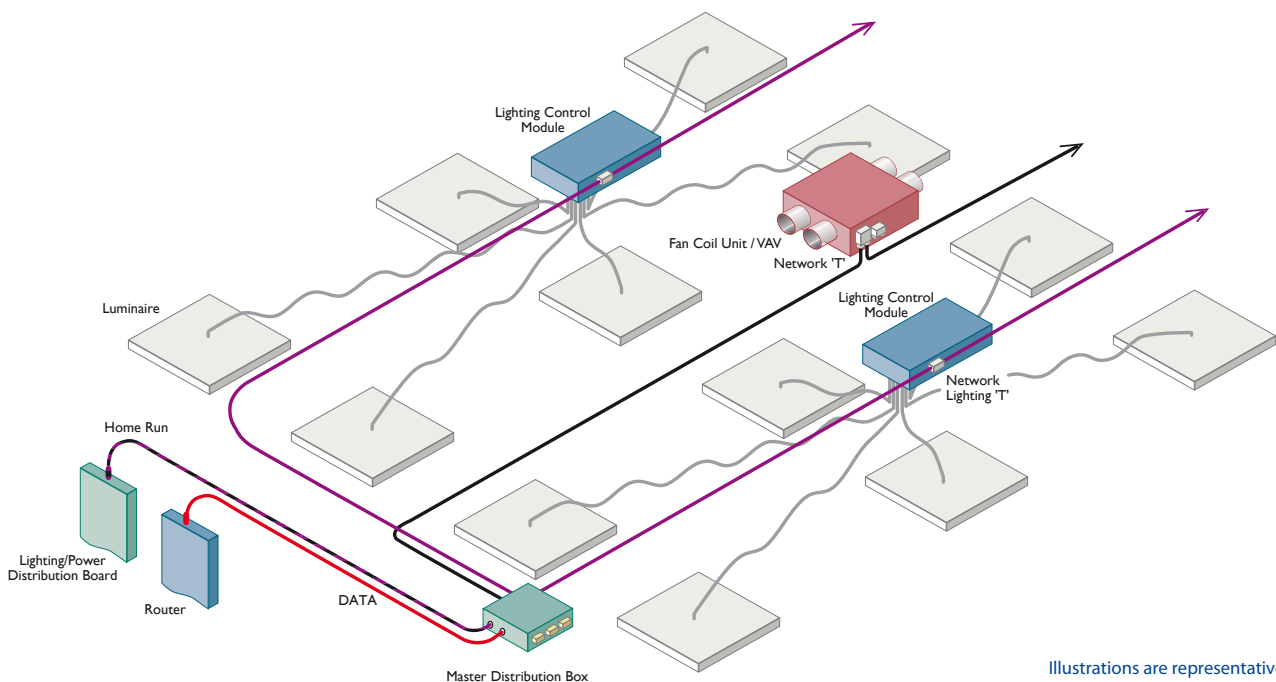
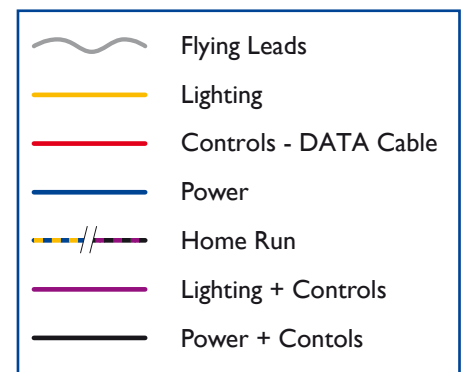
Typical Applications

2 4 6

Lighting controls + HVAC power distribution + Integral BMS controls distribution

With the integration of the various data protocols, a certified single infrastructure combining power and controls networks - has been integrated within the modular wiring.

This entirely eliminates the secondary operation of installing controls wiring and it's containment, facilitating true 'plug and play' - wherever the power goes, the network also goes. It couldn't be simpler.



Illustrations are representative only.



**Master Distribution Box
complete with Home Run**



Fuse Spur Tee



Switch Module



**6 Pole 32A
Connector**



**6 Pole 20A
Connector**



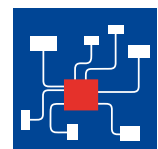
**4 Pole 20A
Connector**

Design and Installation

A complete design service is available if required. Alternatively, manuals have been developed to guide the specifier and the contractor through the transition to a modular wiring installation.

MC and DATA Cables are for power, lighting & control applications. Cables can be supplied in coils or as part of our Pre-cut service.

"Connections to Energize Your Ideas"



MODULAR WIRING SYSTEMS LTD.

UNIT 1, BAY 5, BANBURY AVENUE,
SLOUGH, BERKSHIRE SL1 4LH
TELEPHONE: +44 (0)1753 566700
FAX: +44 (0)1753 566701
INFO@MODWIRE.COM
WWW.MODULARWIRING.COM

Part of **TRATOS GROUP**



www.tratos.it